

# TOP

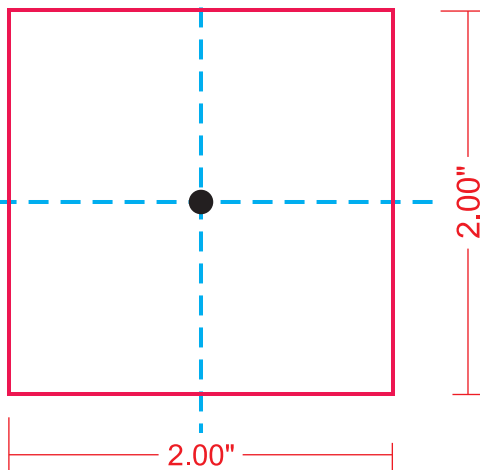
## *How to test your printer*

To test if your printer is setup correctly, and is printing on the right position;

- Please print out, this sheet, on regular letter size paper.

Make sure your printer is set to:

- 1) 8 1/2 x 11 Letter size, NOT A4
  - 2) Actual size, or 100%, NOT fit to page, and NOT set to printable area.
- Fold the printed-out sheet EXACTLY in half, once horizontally and ones vertically, to see if the fold are (100%) on the dotted lines.
  - Then measure the center box, to see if the size of it came out (100%) 2" x 2" inch.



# BOTTOM